

The NESp Project:

Subject:

Video Amp/Power Conversion Circuit

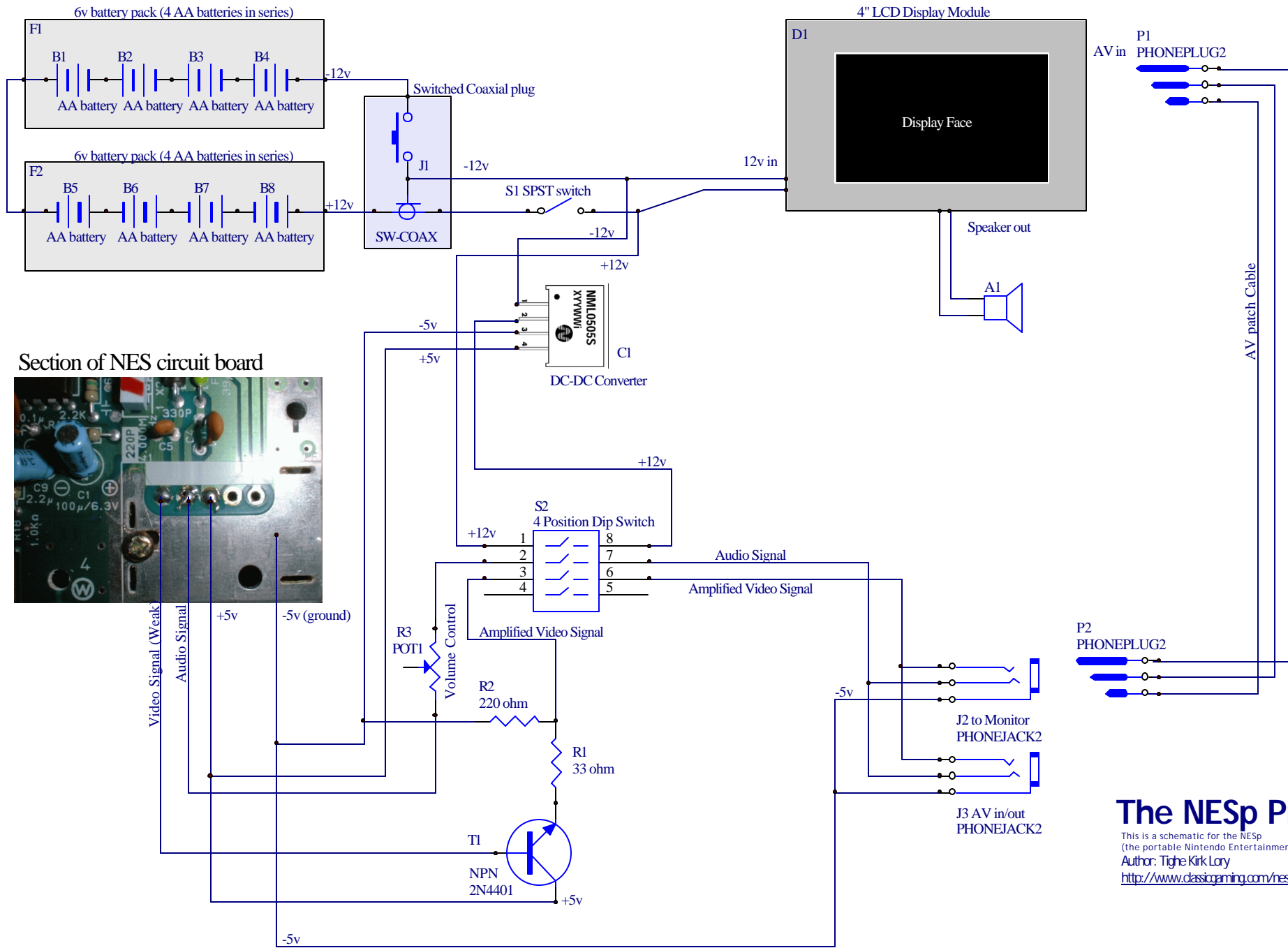
Author:

Tighe Kirk Lory

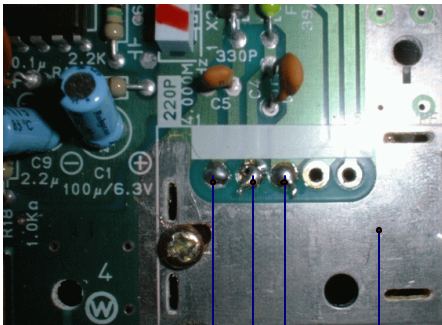
tighe@classicgaming.com

Web site:

<http://www.classicgaming.com/nestable>



Section of NES circuit board



The NESp Project

This is a schematic for the NESp (the portable Nintendo Entertainment System)
 Author: Tighe Kirk Lory
<http://www.classicgaming.com/restable>

NESp Schematic Reference Chart

Reference Number	Part Description	Part Number	Manufacturer	Notes
A1	8 ohm mini speaker	273-0092	RadioShack	
B1	AA Battery	LR6	Any	
B2	AA Battery	LR6	Any	
B3	AA Battery	LR6	Any	
B4	AA Battery	LR6	Any	
B5	AA Battery	LR6	Any	
B6	AA Battery	LR6	Any	
B7	AA Battery	LR6	Any	
B8	AA Battery	LR6	Any	
C1	DC-DC Converter	580-NML1205S	C&D Technologies	
D1	4" LCD Display Module	60-9855	MCM Electronics	
F1	4AA battery holder w/switch	270-0409	RadioShack	
F2	4AA battery holder w/switch	270-0409	RadioShack	
J1	Coaxial DC Power Jack w/switch	274-1583	RadioShack	
J2	3 conductor 1/8" phono jack	274-2049	RadioShack	
J3	3 conductor 1/8" phono jack	274-2049	RadioShack	
P1	1 AV patch cable	?	RadioShack	Lost part Number
P2				
R1	33 ohm resistor	271-1104	RadioShack	
R2	220 ohm resistor	271-1111	RadioShack	
R3	Volume Control Knob			Removed from a broken CD player
S1	SPST switch	various	any	
S2	8-Position DIP Switch	275-1301	RadioShack	
T1	2N4401 NPN Transistor	276-2058	RadioShack	